

# ARK-6610/6620

## Compact Mini-ITX Chassis for Embedded Applications

**NEW**



### Features

- Front I/O interfaces with one expansion slot, ideal building block for embedded equipment
- Extra five COM, two DVI/LVDS, one S/C-video, two USB and one WLAN antenna cutouts
- One shock-resistant disk drive bay for one slim CD/DVD-ROM and one 3.5" hard disk
- Bottom cover design to access CF or mini-PCI on the solder side of motherboard
- Built-in 180 W AC ATX RFC power supply with unique power cord hook
- Easy-to-maintain system fan and reusable filter design
- LED indicators for system fault detection

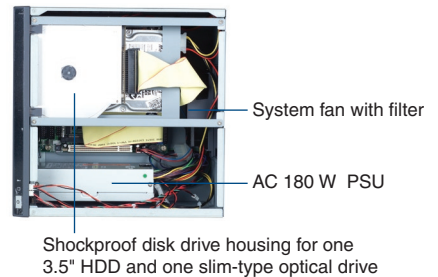
### Specifications

		ARK-6610	ARK-6620
Disk Drive Bay	Slim Optical Drive	1	-
	3.5" Internal	1	1
I/O Interface	Button I/O Access	Yes	Yes
	COM	5	2
	USB	2	-
	DVI/LVDS	2	1
	S/C-Video	1	1
	WLAN Antenna	1	1
Cooling	Fan	1 (52.5 CFM)	2 (27.72 CFM, each)
	Air Filter	Yes	Yes
Miscellaneous	LED Indicators	Power, HDD, Temp.	Power, HDD, Temp.
	Control	Power On/Off switch	Power On/Off switch
Environment	Operating Temperature	0 ~ 40° C (32 ~ 104° F)	Non-operating -20 ~ 60° C (-4 ~ 140° F)
	Humidity	10 ~ 85%, 40° C, non-condensing	10 ~ 95%, @ 40° C, non-condensing
	Vibration (5 ~ 500 Hz)	1 Grms	2 G
	Altitude	0 to 3,048 m (0 ~ 10,000 ft)	
Physical Characteristics	Dimensions (W x H x D)	250 x 156 x 253 (9.8" x 6.1" x 10")	272 x 88 x 232 mm (10.7" x 3.5" x 9.1")
	Weight	4.76 kg (10.47 lb)	3.49 kg (7.68 lb)

#### Front View of ARK-6610



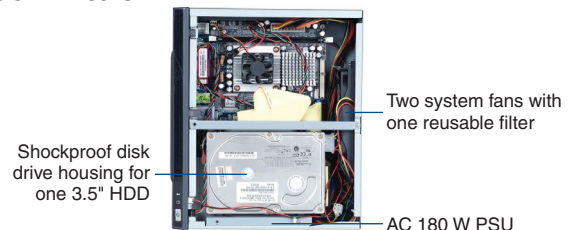
#### Inside of ARK-6610



#### Front View of ARK-6620



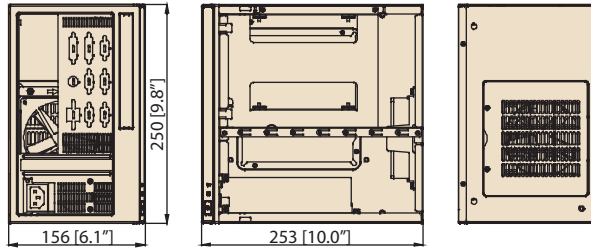
#### Inside of ARK-6620



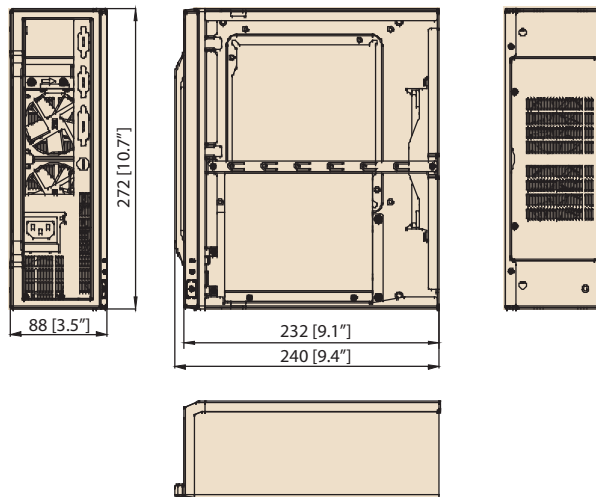
## Dimensions

Unit: mm (inch)

### ARK-6610



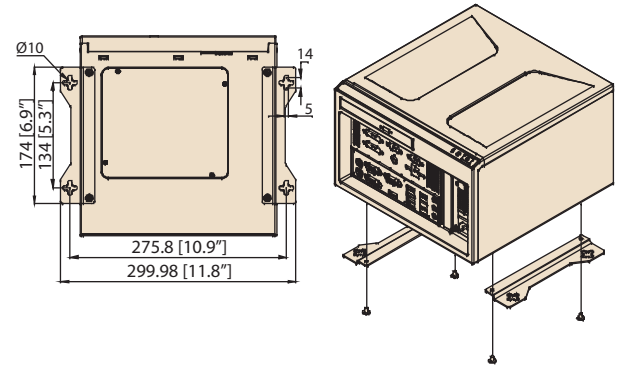
### ARK-6620



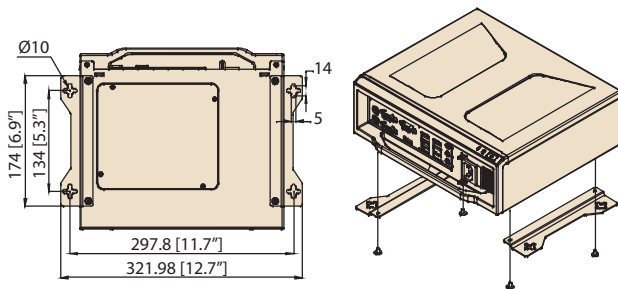
## Installation

Unit: mm (inch)

### ARK-6610



### ARK-6620



## Power Supply Options

Part Number	Watt	Input	Specifications			MTBF
			Output	Mini-Load	Safety	
1757000878 (ATX, PFC)	180 W	AC 100 ~ 240 V	+5 V @ 16 A, +3.3 V @ 14 A, +12 V @ 14 A, -12 V @ 0.5 A, +5 Vsb @ 2 A	+5 V @ 0.3 A, +3.3 V @ 0.3 A, +12 V @ 0.3 A	UL/TUV/CE/CCC/CB	100,000 hours @ 25° C

## Chassis Ordering Information

Part Number	Power Supply	Motherboard	Regulation
ARK-6610-18ZE	1757000878	-	CE, FCC
ARK-6620-18ZE	1757000878	-	CE, FCC

## Accessories

Part Number	Descriptions
1700003434	TV-out cable
1700003435	DVI cable
1750002561	52.5 CFM, 92 x 92 x 25.4 mm system cooling fan (For ARK-6610)
1750002580	27.72 CFM, system cooling fan 60 x 60 x 13 mm (For ARK-6620)